

| COUNT | DESCRIPTION OF REVISIONS | BY | CHKD | DATE | COUNT | DESCRIPTION OF REVISIONS | BY | CHKD | DATE |
|-------|--------------------------|----|------|------|-------|--------------------------|----|------|------|
| △ | | | | | △ | | | | |
| △ | | | | | △ | | | | |

| | | | | |
|---------------------|-----------------------------|-----------------|---------------------------|----------|
| APPLICABLE STANDARD | | | | |
| RATING | OPERATING TEMPERATURE RANGE | -25 °C TO 80 °C | STORAGE TEMPERATURE RANGE | °C TO °C |
| | VOLTAGE | 125 V AC | CURRENT | 500 mA |

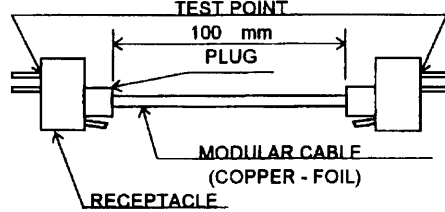
SPECIFICATIONS

| ITEM | TEST METHOD | REQUIREMENTS | QT | AT |
|------|-------------|--------------|----|----|
|------|-------------|--------------|----|----|

CONSTRUCTION

| | | | | |
|---------------------|---------------------------------------|-----------------------|-----------------------|-----------------------|
| GENERAL EXAMINATION | VISUALLY AND BY MEASURING INSTRUMENT. | ACCORDING TO DRAWING. | <input type="radio"/> | <input type="radio"/> |
| MARKING | CONFIRMED VISUALLY. | | <input type="radio"/> | <input type="radio"/> |

ELECTRIC CHARACTERISTICS


| | | | | |
|-----------------------|--|----------------------------|-----------------------|-----------------------|
| CONTACT RESISTANCE | 100 mA DC (OR 1000 Hz AC). MEASUREMENT POINTS SHALL BE AS FOLLOWS. TEST POINT  (ONE EXAMPLE OF CONNECTOR CONFIGURATION IS SHOWN.) | 200 mΩ MAX. | <input type="radio"/> | <input type="radio"/> |
| INSULATION RESISTANCE | 100 V DC. | 100 MΩ MIN. | <input type="radio"/> | <input type="radio"/> |
| VOLTAGE PROOF | 500 V AC FOR 1 min. | NO FLASHOVER OR BREAKDOWN. | <input type="radio"/> | <input type="radio"/> |

MECHANICAL CHARACTERISTICS

| | | | | |
|----------------------|---|--|-----------------------|-----------------------|
| MECHANICAL OPERATION | 200 TIMES INSERTIONS AND EXTRACTIONS. | ① CONTACT RESISTANCE: 220 mΩ MAX. ② NO DAMAGE, CRACK AND LOOSENESS, OF PARTS. | <input type="radio"/> | <input type="radio"/> |
| VIBRATION | FREQUENCY 10 TO 55 Hz, SINGLE AMPLITUDE 0.75 mm, _____ m/s ² AT 2 h, FOR 3 DIRECTIONS. | ① NO ELECTRICAL DISCONTINUITY OF 5 μs. | <input type="radio"/> | <input type="radio"/> |
| SHOCK | 490 m/s ² DIRECTIONS OF PULSE 11 ms AT 3 TIME FOR 3 DIRECTION. | ② CONTACT RESISTANCE: 220 mΩ MAX. ③ NO DAMAGE, CRACK AND LOOSENESS, OF PARTS. | <input type="radio"/> | <input type="radio"/> |

ENVIRONMENTAL CHARACTERISTICS

| | | | | |
|-----------------------------|--|---|-----------------------|-----------------------|
| DAMP HEAT (STEADY STATE) | EXPOSED AT 40 °C, 90 TO 95 %, 500 h. | ① CONTACT RESISTANCE: 220 mΩ MAX. ② INSULATION RESISTANCE: 1 MΩ MIN. (AT HIGH HUMIDITY) ③ INSULATION RESISTANCE: 10 MΩ MIN. (AT DRY) ④ NO DAMAGE, CRACK AND LOOSENESS, OF PARTS. | <input type="radio"/> | <input type="radio"/> |
| RAPID CHANGE OF TEMPERATURE | TEMPERATURE -55±3 → 5 TO 35 → 85±2 → 5 TO 35°C TIME 30 TO 35→5 MAX→30 TO 35→5 MAX min UNDER 5 CYCLES. | ① CONTACT RESISTANCE: 220 mΩ MAX. ② INSULATION RESISTANCE: 100 MΩ MIN. ③ NO DAMAGE, CRACK AND LOOSENESS, OF PARTS. | <input type="radio"/> | <input type="radio"/> |
| CORROSION SALT MIST | EXPOSED IN 5 % SALT WATER SPRAY FOR 48 h. | ① CONTACT RESISTANCE: 220 mΩ MAX. ② NO DAMAGE, CRACK AND LOOSENESS, | <input type="radio"/> | <input type="radio"/> |

| | | | | | |
|---|--------------------------|--------------------------|-----------------------------|-----------------------------|---|
| REMARKS FOR REFERENCE ONLY Subject to change without notice Unless otherwise specified, refer to JIS C 5402. | DRAWN | DESIGNED | CHECKED | APPROVED | RELEASED |
| | <i>T. Aso</i> 98'6'23 | <i>T. Aso</i> 98'6'23 | <i>H. Tanaka</i> 98.6.24 | <i>H. Tanaka</i> 98.6.24 |  |

Note QT:Qualification Test AT:Assurance Test ○:Applicable Test

| | | |
|--------------------------------------|------------------------------|-------------------------------|
| HRS HIROSE ELECTRIC CO., LTD. | SPECIFICATION SHEET | PART NO. TM18RA -IB- 62 |
| CODE NO. (OLD) CL | DRAWING NO. ELC4 - 121115 | CODE NO. CL 222 - 2838 - 4 |

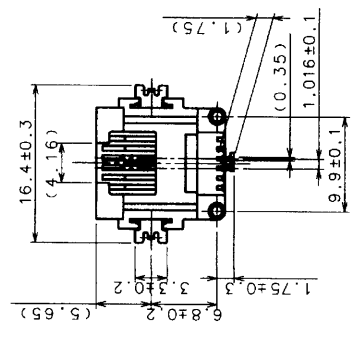
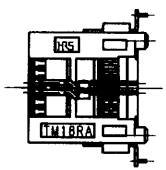
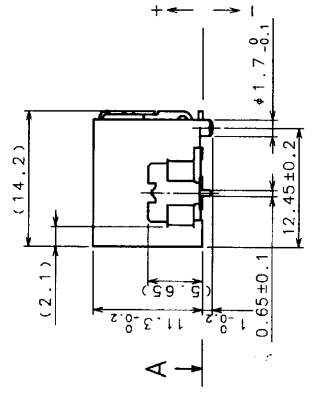
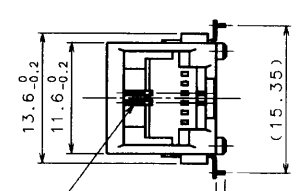
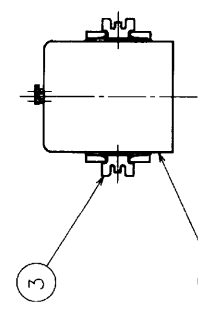
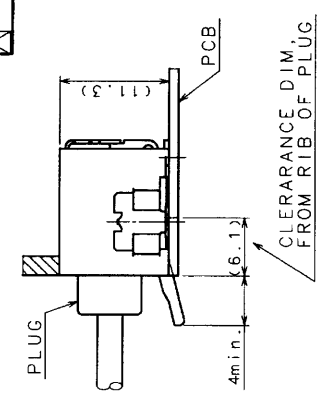
1/1

TO
Q2

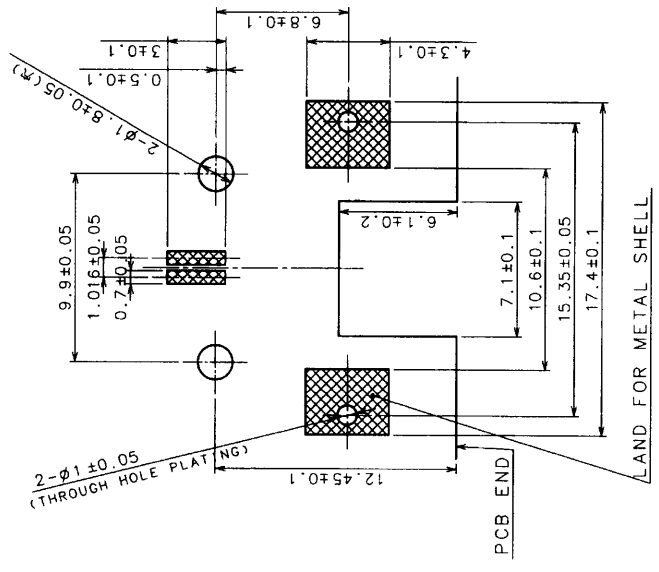


| NO. | DESCRIPTION OF REVISIONS | BY | CHKD | DATE | COUNT | DESCRIPTION OF REVISIONS | BY | CHKD | DATE |
|-----|--------------------------|----|------|------|-------|--------------------------|----|------|------|
| | | | | | | | | | |
| | | | | | | | | | |
| | | | | | | | | | |

PLUG MATED



RECOMMENDED PCB PATTERN, MOUNTING SIDE
(4:1) (t-1)



NOTE 1 THE CO-PLANARITY OF LEADS AND METAL SHELLS SHALL BE 0 ± 0.05

FOR REFERENCE ONLY
Subject to change without notice

| | | | | | | |
|------------------------------|-----------------|---|---|-------------------------------|--|-----------------------|
| 2 | PHOSPHOR BRONZE | CONTACT AREA: GOLD PLATING 1.27µm SOLDERING AREA: TIN-LEAD PLATING 3µm | 4 | | | |
| 1 | PA | BLACK UL94V-0 | 3 | COPPER ALLOY TIN-LEAD PLATING | | |
| NO. MATERIAL FINISH, REMARKS | | NO. MATERIAL FINISH, REMARKS | | DESIGNED | | APPROVED |
| CODE NO. (OLD) | | DRAWN | | CHECKED | | RELEASED |
| CL. | | Y. Kisu | | M. Ageo | | HRS 8/14/74 USA |
| DRAWING NO. EDC3-12115 | | PART NO. TM18RA-IB-62 | | CODE NO. CL222-2838-4 | | 1/1 |
| SCALE 2:1 | | UNITS mm | | HIROSE ELECTRIC CO., LTD. | | FORM NO. 229 |